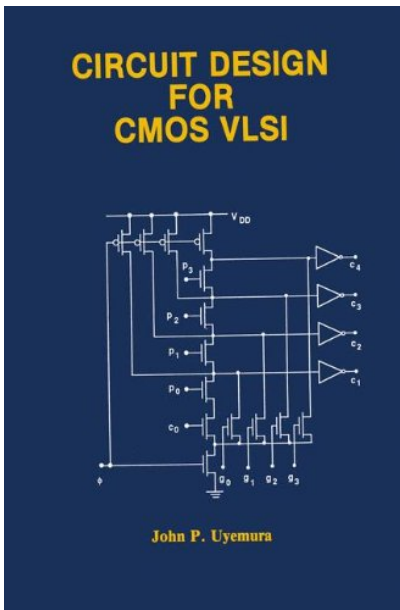


[Pub.71XkG] Free Download :

Circuit Design for CMOS VLSI PDF



by John P. Uyemura : **Circuit Design for CMOS VLSI**

ISBN : #0792391845 | Date : 1992

Description :

PDF-1eec2 | The field of CMOS integrated circuits has reached a level of maturity where it is now a mainstream technology for high-density digital system designs. This volume deals with circuit design in an integrated CMOS environment. Emphasis is placed on understanding the operation, performance, and design o... *Circuit Design for CMOS VLSI*

 Download

 Read Online

Free eBook Circuit Design for CMOS VLSI by John P. Uyemura across multiple file-formats including EPUB, DOC, and PDF.

PDF: Circuit Design for CMOS VLSI

ePub: Circuit Design for CMOS VLSI

Doc: Circuit Design for CMOS VLSI

Follow these steps to enable get access **Circuit Design for CMOS VLSI**:

 [Download: Circuit Design for CMOS VLSI PDF](#)

[Pub.86IWf] Circuit Design for CMOS VLSI PDF | by John P. Uyemura

Circuit Design for CMOS VLSI by by John P. Uyemura

This Circuit Design for CMOS VLSI book is not really ordinary book, you have it then the world is in your hands. The benefit you get by reading this book is actually information inside this reserve incredible fresh, you will get information which is getting deeper an individual read a lot of information you will get. This kind of Circuit Design for CMOS VLSI without we recognize teach the one who looking at it become critical in imagining and analyzing. Don't be worry Circuit Design for CMOS VLSI can bring any time you are and not make your tote space or bookshelves' grow to be full because you can have it inside your lovely laptop even cell phone. This Circuit Design for CMOS VLSI having great arrangement in word and layout, so you will not really feel uninterested in reading.

 [Read Online: Circuit Design for CMOS VLSI PDF](#)